

NAME: [REDACTED] SV142
ID: [REDACTED]

BOTH
DOB: [REDACTED] 1958 [58]

N-30-5 FDT Screening

DATE: 17-11-2016 11:47

TEST SPEED: SLOW

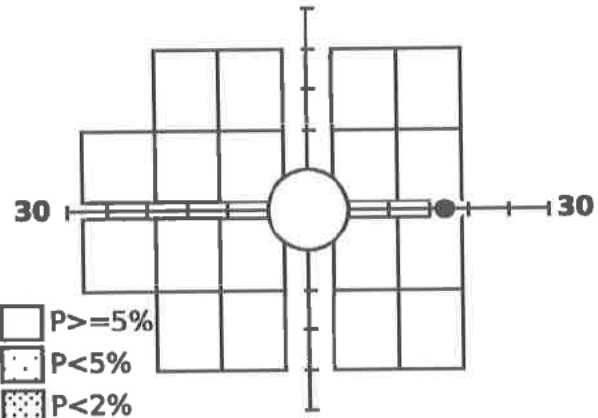
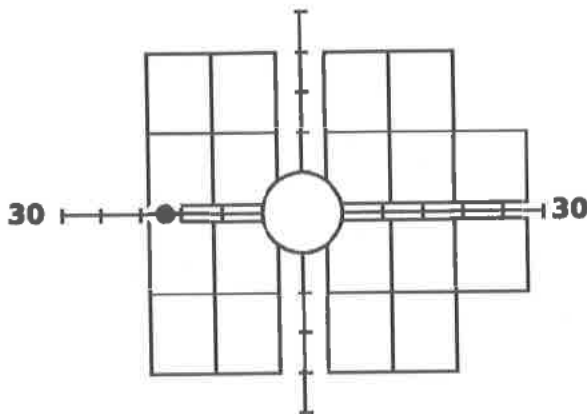
LEFT EYE

RIGHT EYE

PUPIL DIAMETER:
VISUAL ACUITY:
RX:

PUPIL DIAMETER:
VISUAL ACUITY:
RX:

TOTAL DEVIATION



- P >= 5%
- P < 5%
- P < 2%
- P < 1%

TEST DURATION: 0:42
FIXATION TARGET: Central
FIXATION ERRS: 0/3 (0 %)
FALSE POS ERRS: 0/3 (0 %)

TEST DURATION: 0:39
FIXATION TARGET: Central
FIXATION ERRS: 0/3 (0 %)
FALSE POS ERRS: 0/3 (0 %)

NOTES:

NOTES:

Onrustigefixatie

NAME: [REDACTED] SV142
ID: [REDACTED]

LEFT
DOB: [REDACTED]-1958 [58]

TEST DURATION: 0:39
FIXATION TARGET: Central
FIXATION ERRS: 0/3 (0 %)
FALSE POS ERRS: 0/3 (0 %)

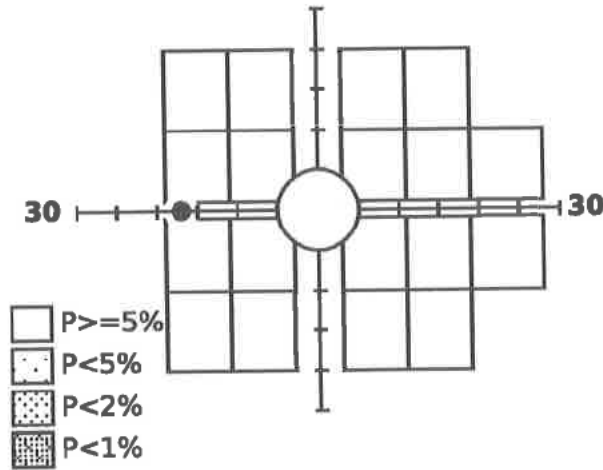
N-30-5 FDT Screening

TEST SPEED: SLOW

DATE: 17-11-2016 11:49

PUPIL DIAMETER:
VISUAL ACUITY:
RX:

TOTAL DEVIATION



NOTES:

Onrustige fixatie

SW: M02.03.01[0]
S08.03.05[0]
P08.03.05[0]
TID: 395.5000001917 (1)

Humphrey Matrix

