

NAME: [REDACTED] SV134
ID: [REDACTED]

RIGHT
DOB: [REDACTED]-1955 [60]

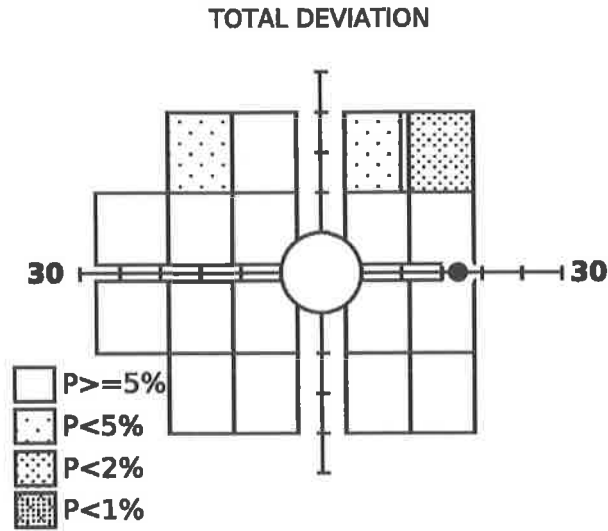
TEST DURATION: 0:53
FIXATION TARGET: Central
FIXATION ERRS: 0/3 (0 %)
FALSE POS ERRS: 0/3 (0 %)

N-30-5 FDT Screening

TEST SPEED: SLOW

DATE: 06-10-2016 12:52

PUPIL DIAMETER:
VISUAL ACUITY:
RX:



NOTES:

bril normaal, SU134 had last
van de boven rand

SW: M02.03.01[0]
S08.03.05[0]
P08.03.05[0]
TID: 352.5000001917 (1)

Humphrey Matrix



N-30-5 FDT Screening

DATE: 06-10-2016 12:56

TEST SPEED: SLOW

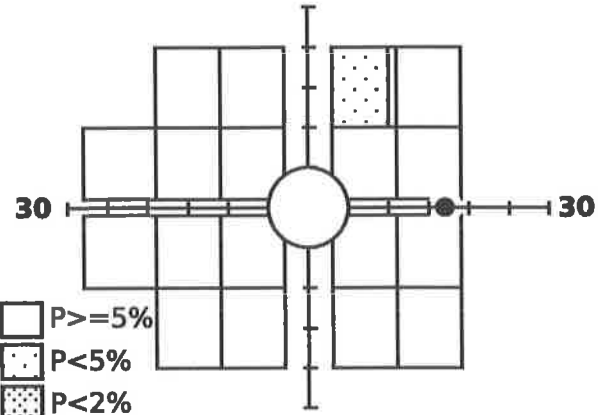
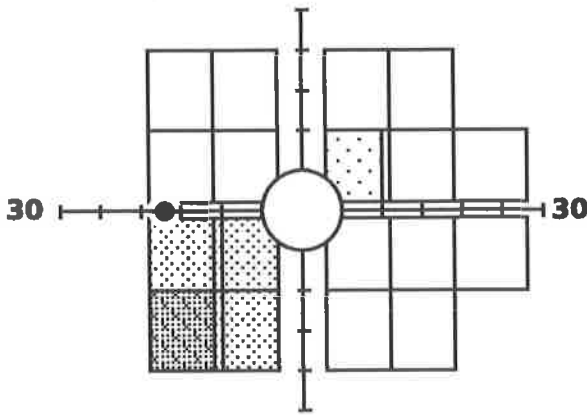
LEFT EYE

RIGHT EYE

PUPIL DIAMETER:
VISUAL ACUITY:
RX:

PUPIL DIAMETER:
VISUAL ACUITY:
RX:

TOTAL DEVIATION



- P >= 5%
- P < 5%
- P < 2%
- P < 1%

TEST DURATION: 1:11
FIXATION TARGET: Central
FIXATION ERRS: 1/3 (33 %)*
FALSE POS ERRS: 1/3 (33 %)*

TEST DURATION: 0:46
FIXATION TARGET: Central
FIXATION ERRS: 0/3 (0 %)
FALSE POS ERRS: 0/3 (0 %)

NOTES:

*iets
bril omhoog geplakt*

NOTES:

bril iets omhoog geplakt

NAME: [REDACTED] SV134
ID: [REDACTED]

LEFT
DOB: [REDACTED]-1955 [60]

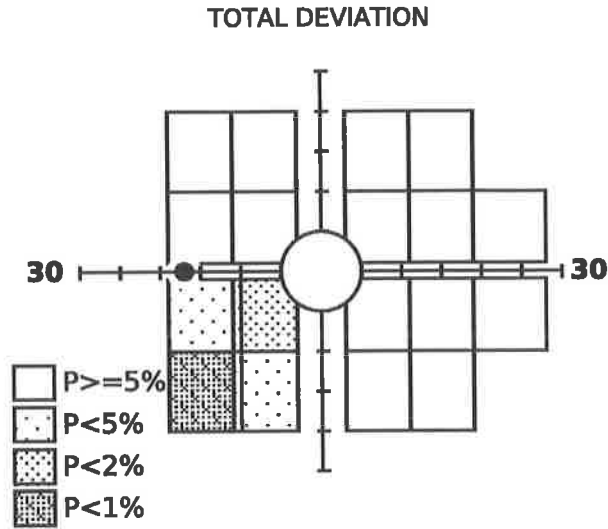
TEST DURATION: 1:03
FIXATION TARGET: Central
FIXATION ERRS: 0/3 (0 %)
FALSE POS ERRS: 0/3 (0 %)

N-30-5 FDT Screening

TEST SPEED: SLOW

DATE: 06-10-2016 13:01

PUPIL DIAMETER:
VISUAL ACUITY:
RX:



NOTES:

bril iets onhoog geplakt.

SW: M02.03.01[0]
S08.03.05[0]
P08.03.05[0]
TID: 354.50000001917 (1)

Humphrey Matrix



NAME: [REDACTED] SV134
ID: [REDACTED]

LEFT
DOB: [REDACTED]-1955 [60]

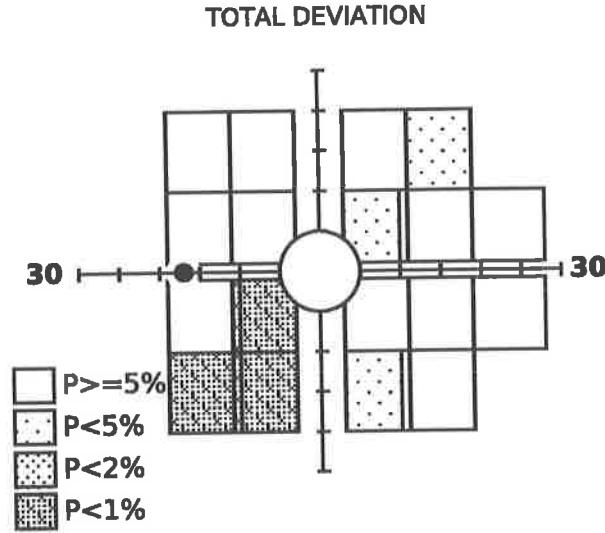
TEST DURATION: 1:12
FIXATION TARGET: Central
FIXATION ERRS: 0/3 (0 %)
FALSE POS ERRS: 0/3 (0 %)

N-30-5 FDT Screening

TEST SPEED: SLOW

DATE: 06-10-2016 13:03

PUPIL DIAMETER:
VISUAL ACUITY:
RX:



NOTES:

bril normaal

SW: M02.03.01[0]
S08.03.05[0]
P08.03.05[0]
TID: 355.5000001917 (1)

Humphrey Matrix



NAME: [REDACTED] SV134
ID: [REDACTED]

RIGHT
DOB: [REDACTED]-1955 [60]

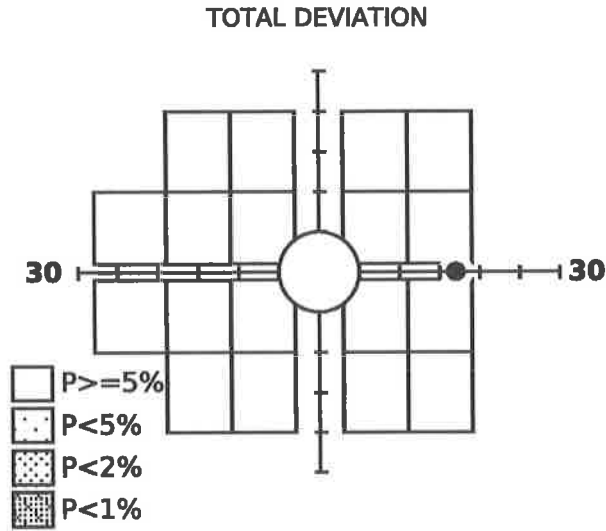
TEST DURATION: 0:35
FIXATION TARGET: Central
FIXATION ERRS: 2/3 (67%)*
FALSE POS ERRS: 3/3 (100%)*

N-30-5 FDT Screening

TEST SPEED: SLOW

DATE: 06-10-2016 14:11

PUPIL DIAMETER:
VISUAL ACUITY:
RX:



Computer bril

NOTES:

SW: M02.03.01[0]
S08.03.05[0]
P08.03.05[0]
TID: 356.5000001917 (1)

Humphrey Matrix



NAME: [REDACTED] SV134
ID: [REDACTED]

DOB: [REDACTED] 1955 [60] BOTH

N-30-5 FDT Screening

DATE: 06-10-2016 14:13

TEST SPEED: SLOW

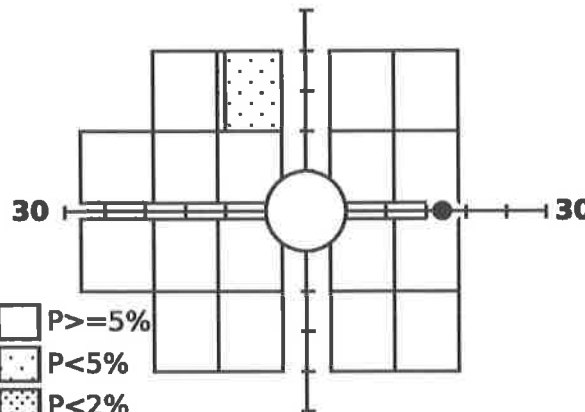
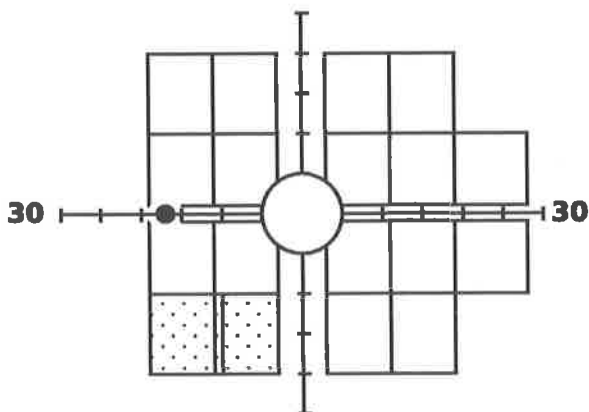
LEFT EYE

PUPIL DIAMETER:
VISUAL ACUITY:
RX:

RIGHT EYE

PUPIL DIAMETER:
VISUAL ACUITY:
RX:

TOTAL DEVIATION



- P >= 5%
- P < 5%
- P < 2%
- P < 1%

TEST DURATION: 0:48
FIXATION TARGET: Central
FIXATION ERRS: 0/3 (0 %)
FALSE POS ERRS: 0/3 (0 %)

TEST DURATION: 0:42
FIXATION TARGET: Central
FIXATION ERRS: 1/3 (33 %)*
FALSE POS ERRS: 1/3 (33 %)*

NOTES:

Computer bril (50cm)

NOTES:

Computerbril